



IR Network Speed Dome

Quick Guide

Thank you for purchasing our product. If there are any questions, or requests, please do not hesitate to contact the dealer.

This manual applies to IR network speed dome.

This manual may contain several technical incorrect places or printing errors, and the content is subject to change without notice. The updates will be added to the new version of this manual. We will readily improve or update the products or procedures described in the manual.

DISCLAIMER STATEMENT

“Underwriters Laboratories Inc. (“UL”) has not tested the performance or reliability of the security or signaling aspects of this product. UL has only tested for fire, shock or casualty hazards as outlined in UL’s Standard(s) for Safety, UL60950-1. UL Certification does not cover the performance or reliability of the security or signaling aspects of this product. UL MAKES NO REPRESENTATIONS, WARRANTIES OR CERTIFICATIONS WHATSOEVER REGARDING THE PERFORMANCE OR RELIABILITY OF ANY SECURITY OR SIGNALING RELATED FUNCTIONS OF THIS PRODUCT.”

Regulatory Information

FCC Information

FCC compliance: This equipment has been tested and found to comply with the limits for a digital device, pursuant to part 15 of the FCC Rules. These limits are designed to provide reasonable protection against harmful interference when the equipment is operated in a commercial environment. This equipment generates, uses, and can radiate radio frequency energy and, if not installed and used in accordance with the instruction manual, may cause harmful interference to radio communications. Operation of this equipment in a residential area is likely to cause harmful interference in which case the user will be required to correct the interference at his own expense.

FCC Conditions

This device complies with part 15 of the FCC Rules. Operation is subject to the following two conditions:

1. This device may not cause harmful interference.
2. This device must accept any interference received, including interference that may cause undesired operation

EU Conformity Statement



This product and - if applicable - the supplied accessories too are marked with "CE" and comply therefore with the applicable harmonized European standards listed under the Low Voltage Directive 2006/95/EC, the EMC

Directive 2004/108/EC, the RoHS Directive 2011/65/EU.



2012/19/EU (WEEE directive): Products marked with this symbol cannot be disposed of as unsorted municipal waste in the European Union. For proper recycling, return this product to your local supplier upon the purchase of equivalent new equipment, or dispose of it at designated collection points.

For more information see: www.recyclethis.info.



2006/66/EC (battery directive): This product contains a battery that cannot be disposed of as unsorted municipal waste in the European Union. See the product documentation for specific battery information. The battery is marked with this symbol, which may include lettering to indicate cadmium (Cd), lead (Pb), or mercury (Hg). For proper recycling, return the battery to

your supplier or to a designated collection point. For more information see: www.recyclethis.info.



Safety Instruction

These instructions are intended to ensure that user can use the product correctly to avoid danger or property loss.

The precaution measure is divided into **Warnings** and **Cautions**:

Warnings: Neglecting any of the warnings may cause serious injury or death.

Cautions: Neglecting any of the cautions may cause injury or equipment damage.

	
Warnings Follow these safeguards to prevent serious injury or death.	Cautions Follow these precautions to prevent potential injury or material damage.



Warnings

- All the electronic operation should be strictly compliance with the electrical safety regulations, fire prevention regulations and other related regulations in your local region.
- Please use the power adapter, which is provided by normal company. The standard of the power adapter is 24VAC±10% or 12VDC±10% (depending on models). The power consumption cannot be less than the required value.
- Do not connect several devices to one power adapter as adapter overload may cause over-heat or fire hazard.
- Please make sure that the power has been disconnected before you wire, install or dismantle the speed dome.
- When the product is installed on wall or ceiling, the device shall be firmly fixed.
- If smoke, odors or noise rise from the device, turn off the power at once and unplug the power cable, and then please contact the service center.
- If the product does not work properly, please contact your dealer or the nearest service center. Never attempt to disassemble the speed dome yourself. (We shall not assume any responsibility for problems caused by unauthorized repair or maintenance.)



Cautions

- Do not drop the dome or subject it to physical shock, and do not expose it to high electromagnetism radiation. Avoid the equipment installation on vibrations surface or places subject to shock (ignorance can cause equipment damage).
- Do not place the dome in extremely hot, cold, dusty or damp locations, otherwise fire or electrical shock will occur. The operating temperature should be -30°C ~ 65°C.
- The dome cover for indoor use shall be kept from rain and moisture.

- Exposing the equipment to direct sun light, low ventilation or heat source such as heater or radiator is forbidden (ignorance can cause fire danger).
- Do not aim the speed dome at the sun or extra bright places. A blooming or smear may occur otherwise (which is not a malfunction however), and affecting the endurance of sensor at the same time.
- Please use the provided glove when open up the dome cover, avoid direct contact with the dome cover, because the acidic sweat of the fingers may erode the surface coating of the dome cover.
- Please use a soft and dry cloth when clean inside and outside surfaces of the dome cover, do not use alkaline detergents.
- Please keep all wrappers after unpack them for future use. In case of any failure occurred, you need to return the speed dome to the factory with the original wrapper. Transportation without the original wrapper may result in damage on the speed dome and lead to additional costs.
- Do not stare at infrared LED closely to avoid hurting your eyes when the infrared lights are on.

Table of Contents

1 Overview.....	6
2 Installation	7
3 Setting the Network Dome over the LAN.....	9
4 Accessing via Web Browser	12

1 Overview

Please make sure the power of the speed dome has been disconnected before connecting the cables.

The cable interfaces of network speed dome are shown in following figure. The cables are distinguished by different colors. The labels attached on the cables are for identification.

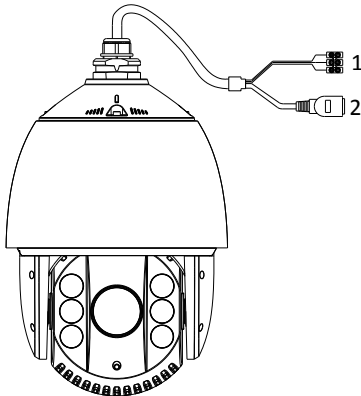


Figure 1-1 Overview

Table 1-1 Overview

No.	Description
1	Power Cables
2	Network Cable

2 Installation

Before you start:

- Check the package contents and make sure that the device in the package is in good condition and all the assembly parts are included.
- Please make sure the wall is strong enough to withstand more than 8 times the weight of the dome and the mount.
- For cement wall, you need to use the expansion screw to fix the mount.

Note: Do not drag the speed dome with its waterproof cables as shown in Figure 1-1, otherwise the waterproof performance is affected.



Figure 1-1 Do Not Drag the Cables

Steps:

1. Remove the protective sticker from the dome drive.

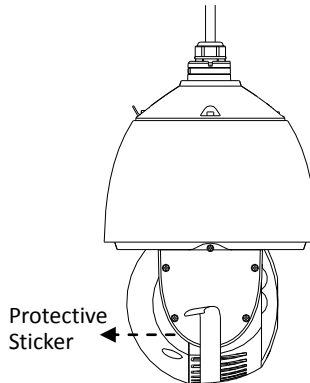


Figure 2-1 Protective Sticker

2. Drill 4 screw holes in the wall according to the holes of the mount.
3. Secure the wall mount to the wall with the M8 expansion screws.

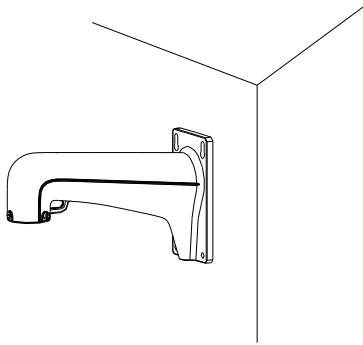


Figure 2-2 Secure the Mount

4. Install the speed dome to the mount.

- 1). Hang the safety rope to the speed dome and then hook to the mount as shown in Figure 2-3.
- 2). Route the cables of the speed dome through the wall mount.
- 3). Loosen the two lock screws on the wall mount.
- 4). Install the speed dome to the mount, and secure the speed dome by rotating the speed dome clockwise.
- 5). Secure the two lock screws with the Allen wrench.

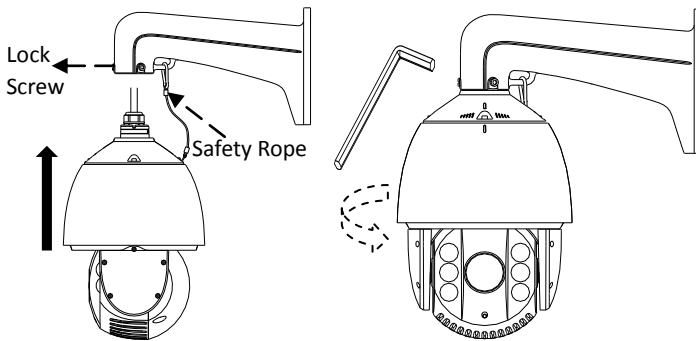


Figure 2-3 Secure the Speed Dome

3 Setting the Network Dome over the LAN

To view and configure the speed dome via LAN (Local Area Network), you need to connect the network speed dome in the same subnet with your PC. Then, install the SADP or the client software to search and change the IP of network speed dome.

- The following figure shows the cable connection of network speed dome.

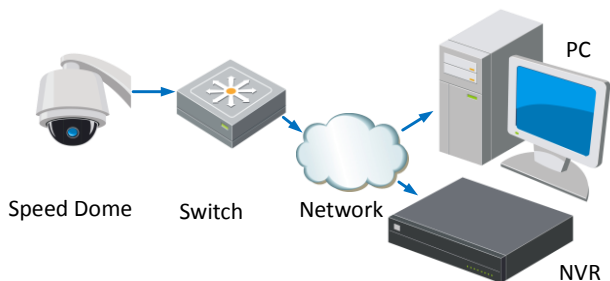


Figure 3-1 Wiring over LAN

- Set the IP address of the speed dome for accessing via LAN.

Steps:

1. To get the IP address, you can choose either of the following methods:

- Use SADP, a software tool which can automatically detect network speed dome in the LAN and list the device information like IP address, subnet mask, port number, device serial number, device version, etc., shown in Figure 3-2.
- Use client software to list the online devices. Please refer to the user manual of client software for detailed information.

2. Change the IP address and subnet mask to the same subnet as of your PC.

Refer to the following introductions to set IP address with SADP software:

- Search active devices online**

Search online devices automatically:

After launch the SADP software, it automatically searches the online devices every 15 seconds from the subnet where your computer locates. It displays the total number and information of the searched devices in the Online Devices interface. Device information including the device type, IP address, port number, gateway, etc. will be displayed.

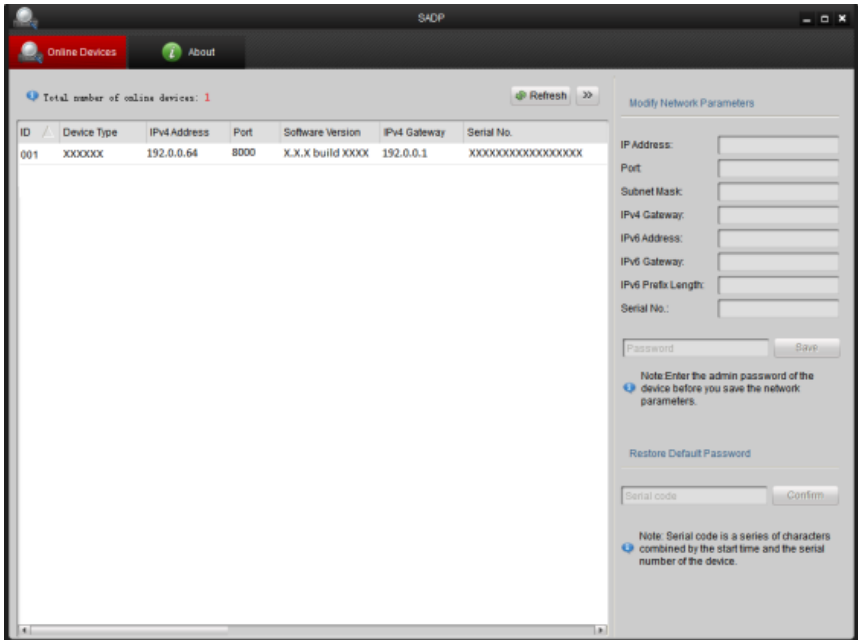
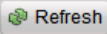




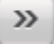

Figure 3-2 Search Online Devices

Note: Device can be searched and displayed in the list in 15 seconds after it goes online; it will be removed from the list in 45 seconds after it goes offline.

Search online devices manually:

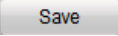
You can also click  to refresh the online device list manually. The newly searched devices will be added to the list.

Note: You can click  or  on each column heading to order the information;

you can click  to show the device table and hide the network parameter panel on the right side, or click  to show the network parameter panel.

□ Modify device information

Steps:

- 1). Select the device to be modified in the device list as shown in Figure 3-3. The network parameters of the device will be displayed in the Modify Network Parameters panel on the right side as shown in Figure 3-4.
- 2). Edit the modifiable network parameters, e.g. IP address and port number.
- 3). Enter the password of the admin account of the device in the Password field and click  to save the changes.

ID	Device Type	IPv4 Address	Port	Software Version	IPv4 Gateway	Serial No.
001	XXXXXX	192.0.0.64	8000	X.X.X build XXXX	192.0.0.1	XXXXXXXXXXXXXXXXXXXX

Figure 3-3 Select a Device

Modify Network Parameters

IP Address:

Port:

Subnet Mask:

IPv4 Gateway:

IPv6 Address:

IPv6 Gateway:

IPv6 Prefix Length:

Serial No.:

Note: Enter the admin password of the device before you save the network parameters.

Figure 3-4 Modify Network Parameters

3. Enter the IP address of network speed dome in the address field of the web browser to view the live video.

Notes:

- The default value of the IP address is 192.0.0.64. The default user name of administrator is admin, and password is 12345.
- For accessing the network speed dome from different subnets, please set the gateway for the network speed dome after you log in.

4 Accessing via Web Browser

System Requirement:

Operating System: Microsoft Windows XP SP1 and above version / Vista / Win7 / Server 2003 / Server 2008 32bits

CPU: Intel Pentium IV 3.0 GHz or higher

RAM: 1G or higher

Display: 1024×768 resolution or higher

Web Browser: Internet Explorer 7.0 and above version, Apple Safari 5.02 and above version, Mozilla Firefox 3.5 and above version and Google Chrome 8 and above version

Steps:

1. Open the web browser.
2. In the browser address bar, input the IP address of the network speed dome, e.g., 192.0.0.64 and press the Enter key to enter the login interface.
3. Input the user name and password. The default user name is admin, and the default password is 12345.

4. Click

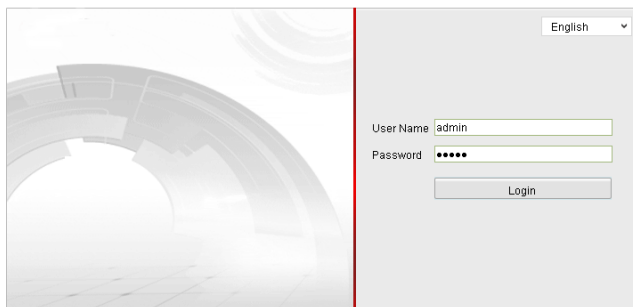
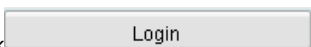


Figure 4-1 Login Interface

5. Install the plug-in before viewing the live video and managing the speed dome. Please follow the installation prompts to install the plug-in.

Note: You may have to close the web browser to finish the installation of the plug-in.

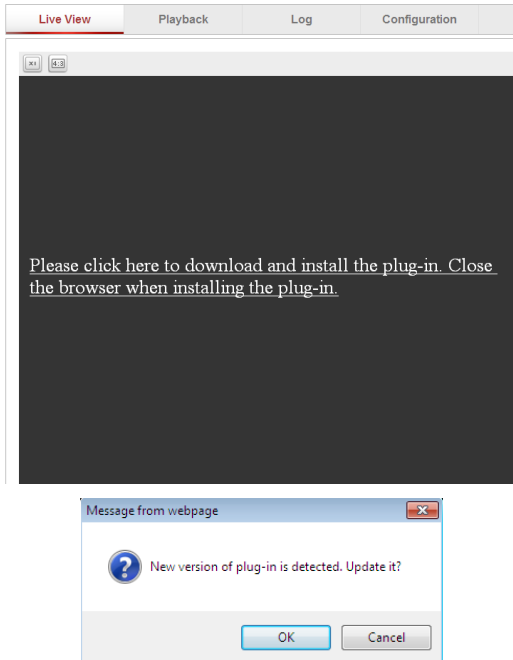


Figure 4-2 Download Plug-in

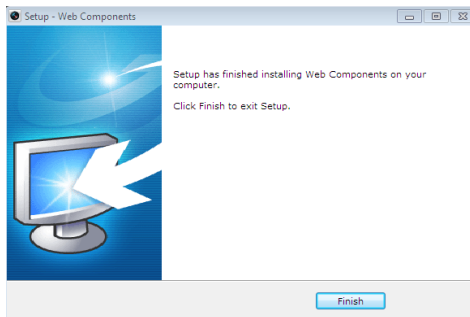


Figure 4-3 Install Plug-in

6. Reopen the web browser after the installation of the plug-in and repeat the above steps 2-4 to login.

Note: For detailed instructions of further configuration, please refer to the user manual of network dome.

